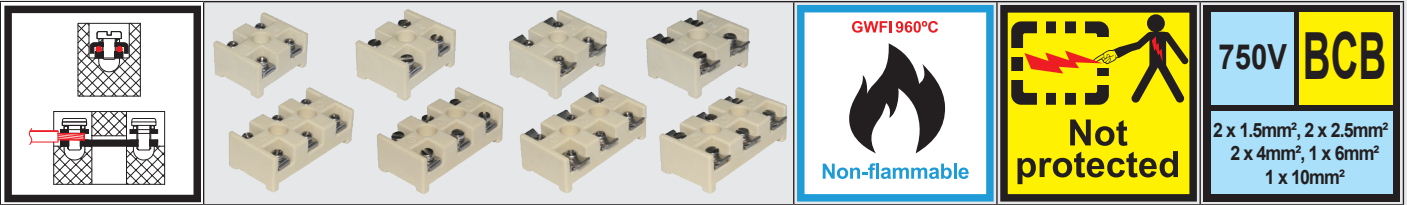


Very high temperature steatite connection blocks, 750V range

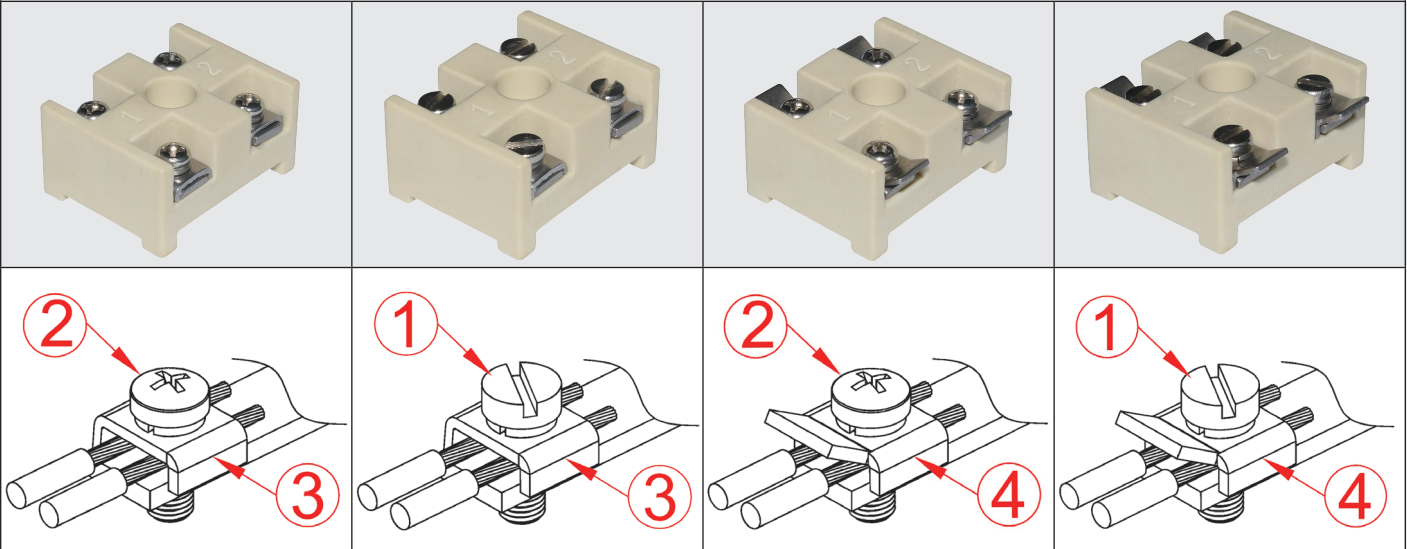
Terminals and screws in stainless steel.



Not protected against accidental electric contact, indirect pressure clamping by saddle, elevated thermal insulating backside.



The different terminal models



1: slotted cheese head; 2: Pozidriv dome head; 3: simple saddle; 4: Anti-shearing saddle with tab

The 4-foot backside is used to thermally isolate the terminal block when it is mounted on a very hot surface; It also avoids the rotation of the terminal block if it is fixed on a rail with a single screw.

Models with U saddle type 3

BCB2C3U0 (Screw type 1) 56 gr.	SOLID CONDUCTOR	BCB3C3U0 (Screw type 1) 90 gr.
	<p>7-8.5 mm</p> <p>1 x 6mm² / 2 x 4mm² / 2 x 2.5mm² / 2 x 1.5mm² 1 x AWG10 / 2 x AWG12 2 x AWG14 / 2 x AWG16</p>	
	STRANDED CONDUCTOR <p>7-8.5 mm</p> <p>1 x 10mm² / 1 x 6mm² / 2 x 4mm² / 2 x 2.5mm² / 2 x 1.5mm² 1 x AWG8 / 1 x AWG10 / 2 x AWG12 / 2 x AWG14 2 x AWG16</p>	
BCB2C2U0 (Screw type 2) 50 gr.	<p>1.2 N.m M4</p> <p>750V 32A*</p> <p>Permanent 500°C/930°F</p> <p>Peak 700°C/1290°F</p>	BCB3C2U0 (Screw type 2) 80 gr.

Because of permanent improvement of our products, drawings, descriptions, features used on these data sheets are for guidance only and can be modified without prior advice



Very high temperature steatite connection blocks, 750V range

Terminals and screws in stainless steel.

Models with anti-shearing saddle type 4

<p>BCB2C3B0(Screw type 1) 56 gr.</p>	<p>SOLID CONDUCTOR</p> <p> 7-8.5 mm</p> <p>1 x 6mm² / 2 x 4mm² / 2 x 2.5mm² / 2 x 1.5mm²</p> <p>1 x AWG10 / 2 x AWG12 / 2 x AWG14 / 2 x AWG16</p> <p>STRANDED CONDUCTOR</p> <p> 7-8.5 mm</p> <p>1 x 10mm² / 1 x 6mm² / 2 x 4mm² / 2 x 2.5mm² / 2 x 1.5mm²</p> <p>1 x AWG8 / 1 x AWG10 / 2 x AWG12 / 2 x AWG14 / 2 x AWG16</p>	<p>BCB3C3B0(Screw type 1) 90 gr.</p>				
<p>BCB2C2B0(Screw type 2) 50 gr.</p>	<p> 1.2 N.m</p> <p> M4</p> <p>750V</p> <p>32A*</p> <table border="1" style="width: 100%; border-collapse: collapse;"> <tr> <td style="width: 50%;">Permanent</td> <td>500°C/930°F</td> </tr> <tr> <td>Peak</td> <td>700°C/1290°F</td> </tr> </table>	Permanent	500°C/930°F	Peak	700°C/1290°F	<p>BCB3C2B0(Screw type 2) 80 gr.</p>
Permanent	500°C/930°F					
Peak	700°C/1290°F					

* : Ampacity limited to 32A as a result of the self-heating of the stainless-steel terminal by Joule effect.

Because of permanent improvement of our products, drawings, descriptions, features used on these data sheets are for guidance only and can be modified without prior advice

